

A Professional Approach to Refraction Units...



**YURATEK**  
[www.yuratek.com](http://www.yuratek.com)



## OPHTHALMIC PRODUCTS

For more than 14 years Yuratek has been developing products according to its experiences in ophthalmology and optometry industries all around the world and exporting products to many countries in Middle East, Europe, Asia and Africa. Our primary goal is to our customers happy with the quality and customizable options...

## BAHA II



## BAHA III



## YRT 2000



## YRT 1000



## TABLES



## BAHA II



10-250-0 >

BAHA II offers a comfortable configuration as well as flexible expandability.

BAHA II includes a swivel-sliding instrument table for two instruments and process a drawer element offering room for trial lens set and other accessories.

The hinged drawer element offers the best working position during refraction every time.

The easily accessible control panel serves for simple and fast operation of BAHA series.



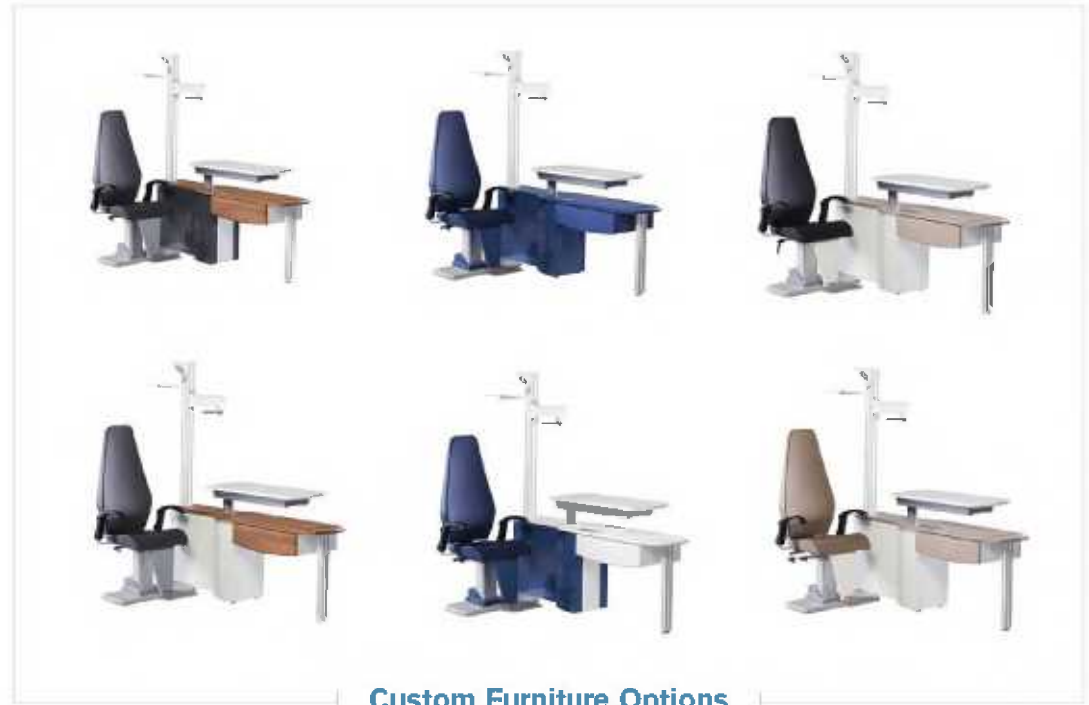
10-250 >



Triple Drawer >



BAHA II-DC >



Custom Furniture Options

The double column that is added to the unit table for the motorized up and down movement of the phoropter arm adds speed and comfort to the doctor examination.

## BAHA II



Fully compatible with any wheel chair.

The unit chair can slide just by the unit to have more space.

Both right and left units are available with tabletop elevation.

- \* The wheel chair version is a factory option.
- \* Unit stability is guaranteed by extra weight to the base plate.
- \* Designed according to ISO standards for wheel chair configuration.



Left or right sided table installation feature allows you to easily adjust the unit's table during the installation.



**Controls available for:**

- Power On-Off
- Reading Light (Led Lamp)
- Dimming of Slit Lamp
- Dimming of Head Lamp
- Chair Up-Down, Automatic Landing "0" Position
- Table Up-Down
- Aux On-Off
- Projector On-Off
- Motorized Phoropecter Arm

**Standard Features**

- Left and right sided selection feature during installation
- Magnetic lock mechanism (can be locked in every position)
- Sliding and rotating table top for two instruments
- Chinrest preparation compatible with almost all brand names
- Chair up-down movement
- Power outlets including AUX and hidden cable channels
- Patient knee protection switch
- Easy to control keypad (changeable left or right side)
- Chart projector column
- Chart projector holder and plate
- Dimmable halogen head light
- Ergonomic chair with footrest, armrest
- Wide range of color and tissue
- All units in the BAHA series are equipped with an electrically operated patient's chair.
- Push-button for descending chair. A fast double pulsation, pressing twice make descend chair automatically to the response position.



The projector is mounted on the aluminium column.

# BAHA II

## Optional Features



Tabletop Up - Down Movement



Triple Drawer



Horizontal Chair Movement  
Manual or Motorized



Rotating Chair 360°



Inclinable Chair max your  
patient feels like home 45° or full

12-400 >

Motorized Sliding  
Phoropter Arm



12-300 >

Manual Sliding  
Phoropter Arm



12-200 >

Motorized  
Phoropter Arm



12-100 >

Manual  
Phoropter Arm



12-500 >

Manual Phoropter Arm  
with Wall Adapter



10-500 >

LCD Monitor  
Support



00-200 >

Foot Pedal for  
Electrical Chair

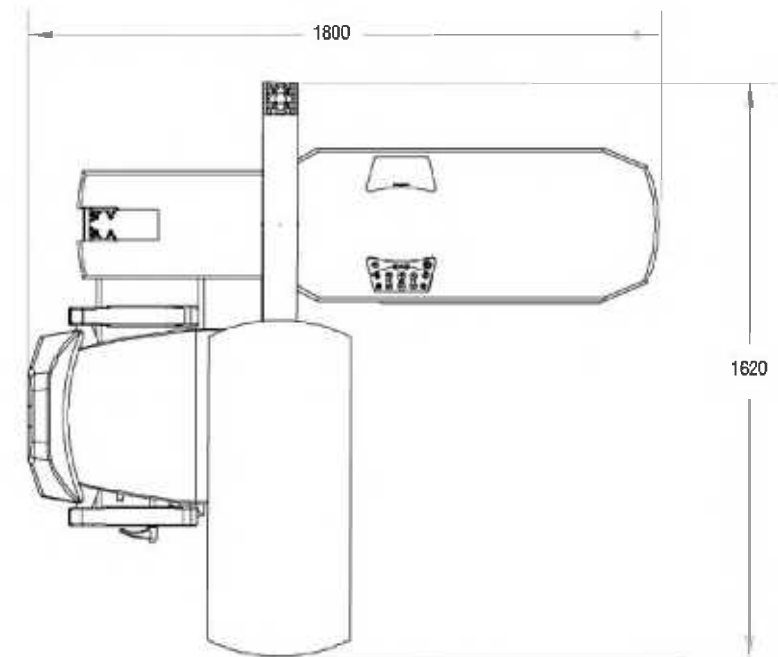
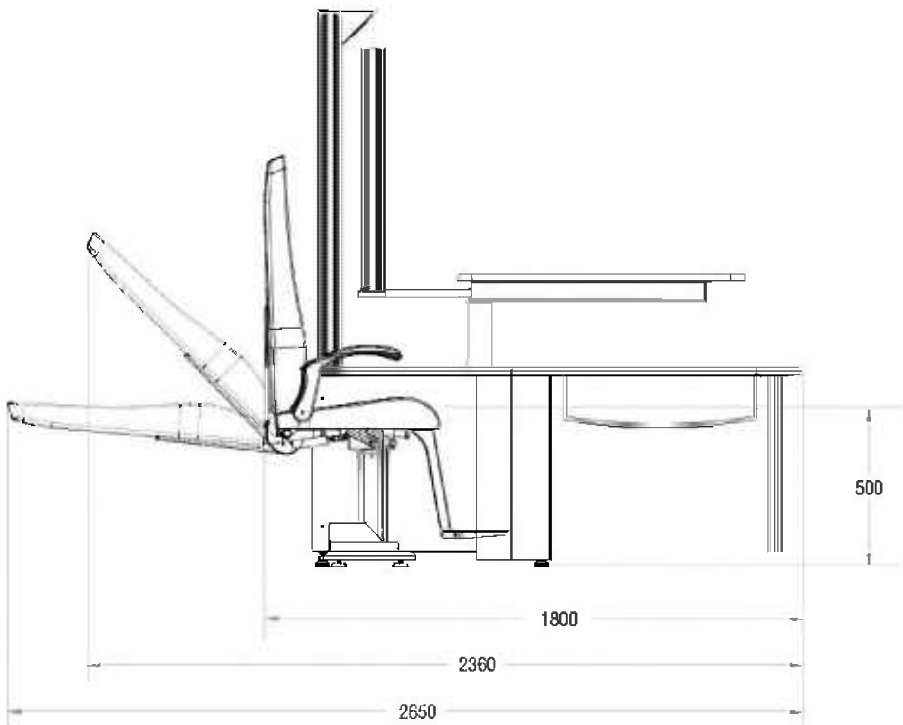
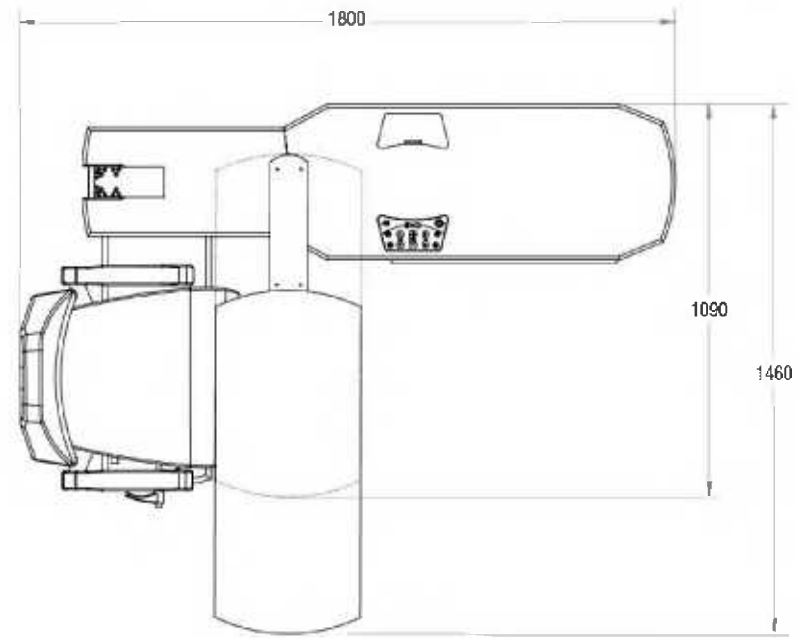
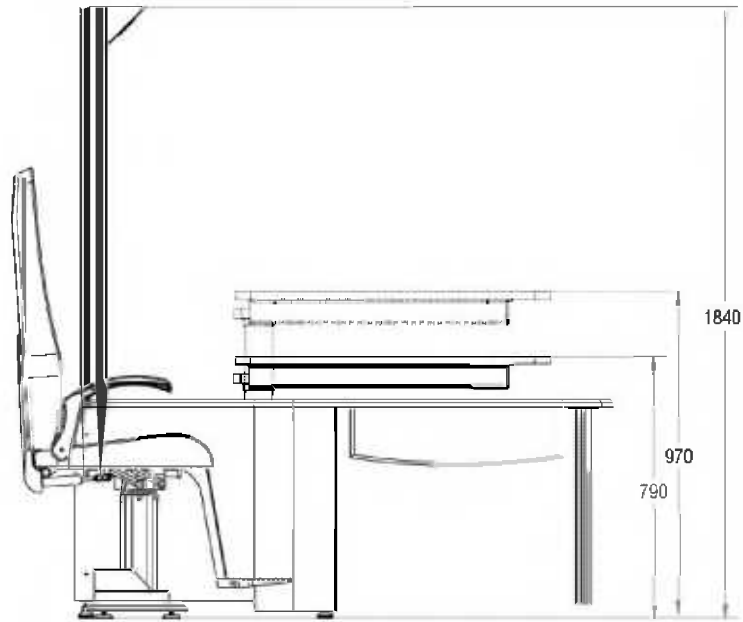


00-300 >

Electro-Brakes are  
Controlled for a  
Foot Switch







## BAHA III



For highly equipped examination rooms BAHA III series offer a complete solution with rotating almost 355 degrees tables and optional table up and down movement.

### Standard Features

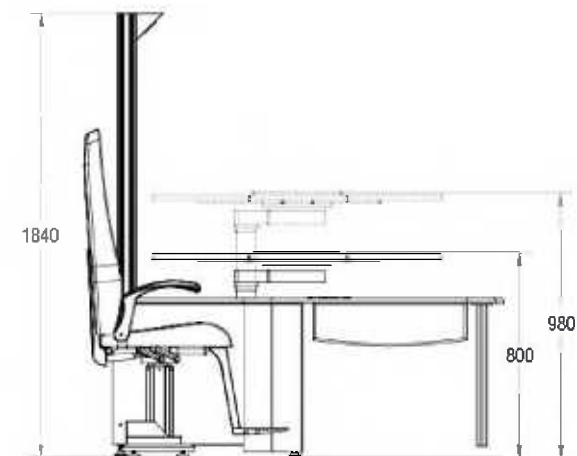
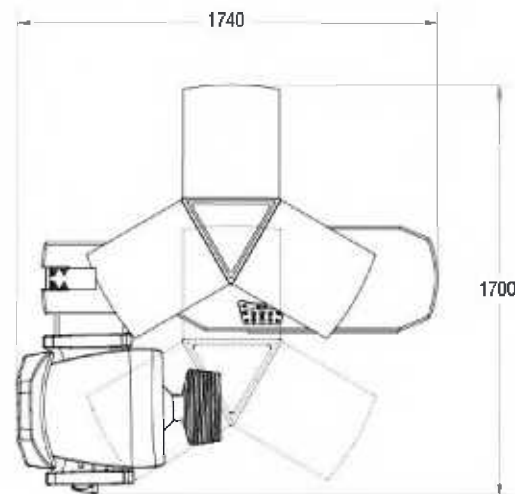
- Tabletop for 3 instruments
- Both right and left units are available with table top elevation
- Combination of two smooth and fast acting movements of table top (both rotation and sliding 355°)
- Which operate with electro-magnetic brake to place each instrument in the correct position (every angle)
- Dimming of slit lamp control panel
- Chair for without armrest
- Standard tray lens drawer
- Wide range of color and tissue selection for both unit body and chair cover
- Head lamp is upper plate aluminum port of the halogen lamp of 230V/50W and dimmable control main panel
- Extruded aluminum with side slots to attach the projector and phoropter arms, both height adjustable head lamp projector support
- Control panel with an easy access
- Powered elevation of tabletop (0-6/12V and 230 V Ac)



Left or Right sided table installation feature allows you to easily adjust the unit's table during the installation.

### Optional Accessories

- Right and left wheel chair access version available (factory option)
- Up-down movement for instrument table top
- Wheelchair access possibility (factory option)
- Single trial drawer or a three drawer
- Inclinable chair backrest 45° to full
- Electro-brakes whics are controlled by a foot switch
- Horizontal chair movement manual or motorized
- Rotating chair 360°
- LCD monitor support
- Ophtalmoscope retinascope holder
- Choice out of phoropter arm with regulation for different weights (4-7 kg.) and adjustable in force Horizontal & vertical position and direction. (code 12-100)



## YRT 2000



Ergonomics and economics are keywords in the YRT-2000 ophthalmic unit

### Standard Features

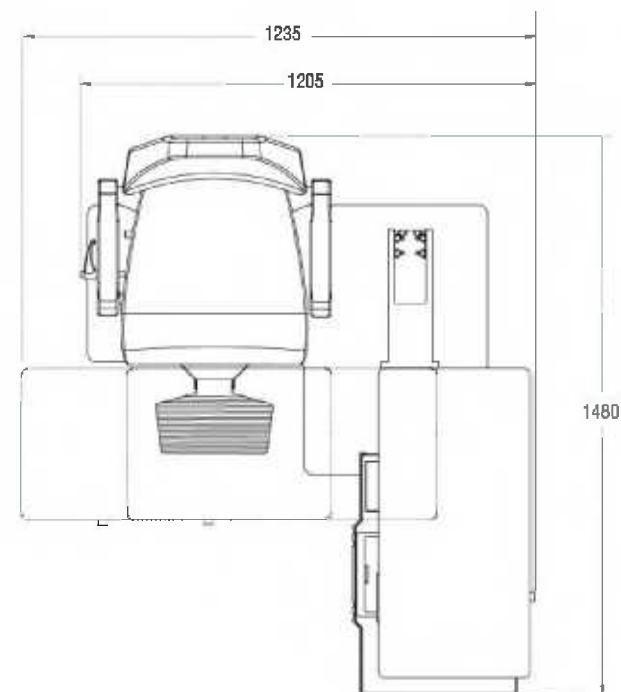
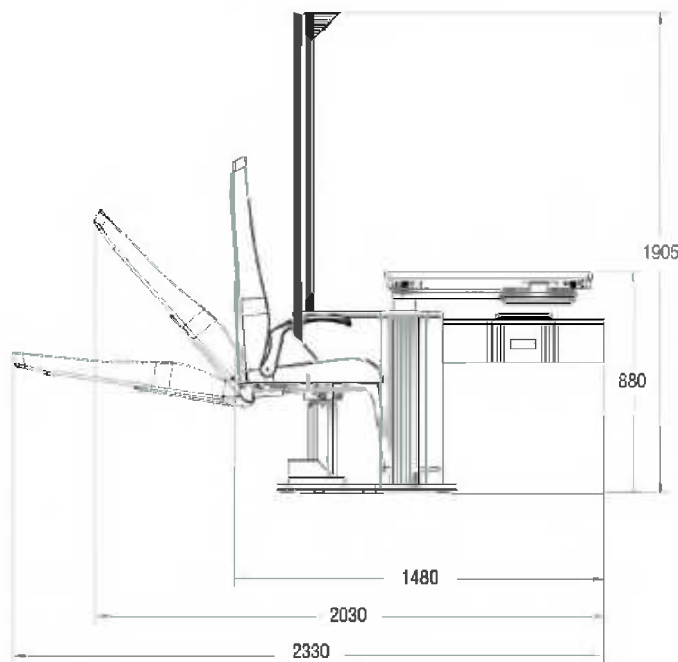
- Easy to operate control panel
- Dimming of head light
- Dimming of slit lamp
- Projector on/off
- One auxiliary instrument
- Motorized chair with arm rest and footrest
- Mechanical lock for sliding table
- One trial lens drawer
- Projector column and support table
- Unit in the YRT 2000 is equipped with an electrically operated patient's chair
- Push-button for descending chair. A fast double pulsation, pressing twice make descend chair automatically to the repose position
- Mechanical lock for sliding table





### Optional Accessories

- Double drawer
- Electromagnetic lock
- Choice out of four type phoropter arm
- Electromagnetic brake on/off
- Chair rotation 360°
- Inclaniable chair 45° or full
- Left side assembly possibility (factory option)
- LCD monitor support
- Oftolmascope retinascope holder



## YRT 1000

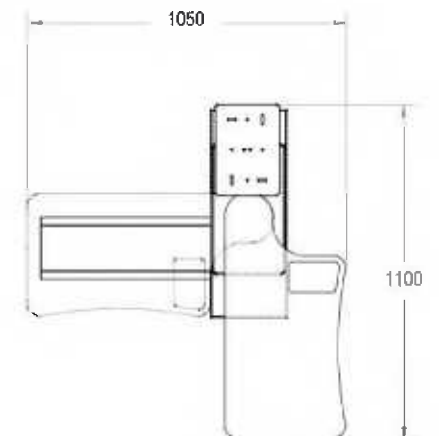
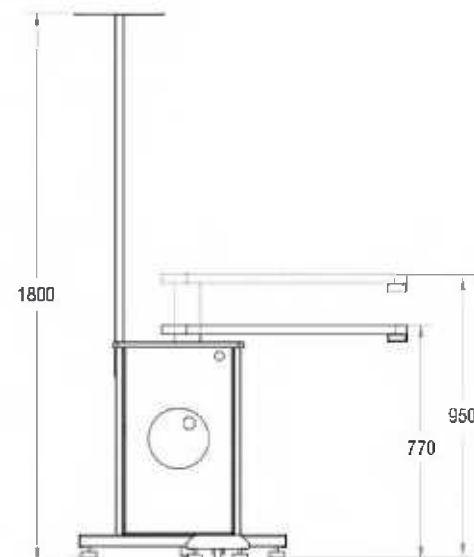
If limitations in space for a refraction unit make the use of a small refraction unit essential YRT 1000 will be applied.

### Standard Features

- Economical Unit
- Rotatable instrument table 90°
- Smallest footprint ever
- Compact design
- Table top for 1 instrument
- Manual Phoropter arm

### Optional Accessories

- Near vision light
- Motorized chair

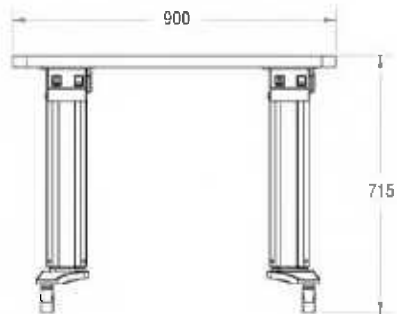
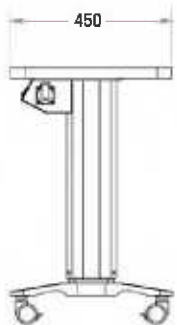


# TABLES



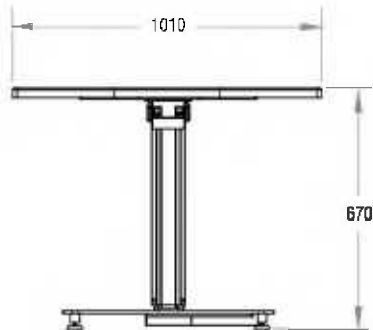
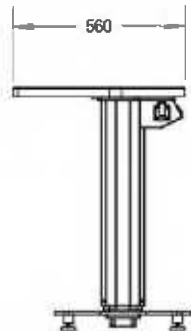
**MT30**

Specifications	MT-30
Input Voltage	240 VAc (Optional 100-240 VAc)
Power Aux Outlet	2
Maximum Load	100 Kg
Stroke	250 mm



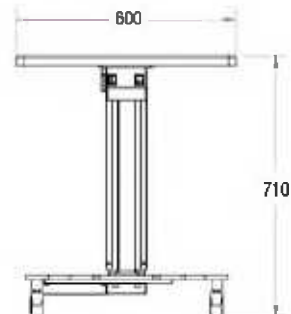
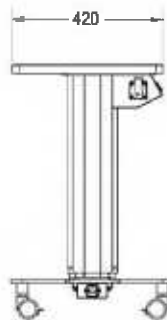
**MT20**

Specifications	MT-20
Input Voltage	240 VAc (Optional 100-240 VAc)
Power Aux Outlet	2
Maximum Load	75 Kg
Stroke	250 mm

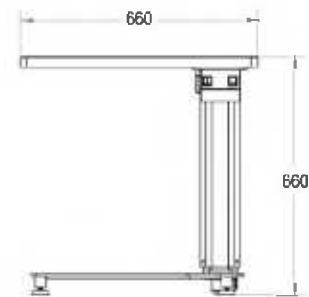
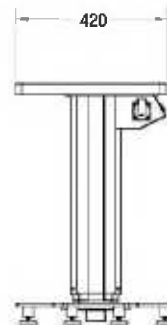


**MT10**

Specifications	MT-10/MT-10-S
Input Voltage	240 VAc (Optional 100-240 VAc)
Power Aux Outlet	1
Maximum Load	75 Kg
Stroke	250 mm



**MT10-S**



# CHAIR



11-500 >

Fixed backrest



11-700 >

Fixed backrest



11-750 >

Tiltable backrest 45° or full



11-800 >

Fixed backrest  
Electrical foot pedal control  
Up-Down movement 180 mm  
Max. load capacity 160 kg  
Power input 230 V Ac/50 Hz  
Optional 100-230 V Ac/50 Hz



11-850 >

Tiltable backrest 45° or full  
Electrical foot pedal control  
Up-Down movement 180 mm  
Max. load capacity 160 kg  
Power input 230 V Ac/50 Hz  
Optional 100-230 V Ac/50 Hz

SPECIFICATIONS	11-500	11-700	11-750
Fixed Backrest	Yes	Yes	No
Tiltable Backrest	No	No	45° or full
Foldable Armrest	Yes	Yes	Yes
Foldable Footrest	Yes	Yes	Yes
Horizontal Seat Movement	Optional	Optional	Optional

## Motorized Chair

Optional Headrest





SPECIFICATIONS	BAHA II	BAHA III	YRT 2000	YRT 1000
Tabletop	2 Instruments	3 Instruments	2 Instruments	1 Instrument
Sliding tabletop	Rotatable sliding tabletop	-	Rotatable sliding tabletop	-
Maximum load tabletop	40 kg (20 + 20 kg)	Each table top : 20 kg	40 kg (20 + 20 kg)	20 kg
Max. rotation angle swivel tabletop	90°	355°	90°	90°
Wheelchair access	Available	Available	-	Usable
Seat rotation	0 to 360°	0 to 360°	0 to 360°	-
Maximum load for chair	175 kg	175 kg	175 kg	-
Electro-brake for locking the tabletop	Can be locked in every position	Can be locked in every position	Can be locked in every position (optional)	-
Power head lamp	220 V Ac/50W Halogen (Dimmable)	220 V Ac/50W Halogen (Dimmable)	220 V Ac/50W Halogen (Dimmable)	-
Stroke elevated tabletop	780-950 mm	800-980 mm	fixed-880 mm	770-950 mm
Trail lens drawer	1 or 3	1 or 3	1 or 2	-
Inside dimensions trail lens drawer	530(w) x 360 (d) x 70(h)	530(w) x 360 (d) x 70(h)	530(w) x 350 (d) x 70(h)	-
Total power supply	220-240V / 50-60 Hz			
Power near vision lamp	LED (Optional)			
Safety stop	YES			
Power on tabletop	0-6V-12V-16 V/5A 220VAc-50/60 Hz			
Maximum power consumption	900 W			
Aux voltage	Max 240 VAc / 5A			
Electrical classification	Class I, Type B			
Electric protection degree	IP21			

Important : Subject to change in design and /or specifications without advencad notice

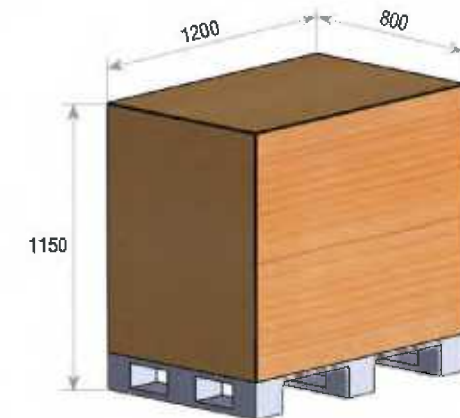
### Wood Box Dimensions for BAHA II - BAHA III - YRT 2000

**BAHA II**      **250 kg.**

**BAHA III**      **275 kg.**

**YRT 2000**      **225 kg.**

**YRT 1000**      **125 kg.**



#### COMPLY TO THE DIRECTIVES

93/ 42/ EEC Medical Device Directive (MMD)  
2007/47/EC Revision to Medical Device Directives  
2006/95/EC Low Voltage Directive  
2011/65/EU EU RoHS 2 Directive

# UNIT COLOURS OPTIONS

For print-technical reasons, the colours represented here may deviate from the original colours slightly



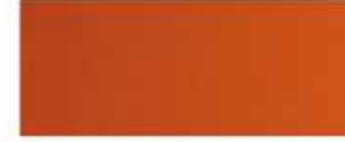
LMD01 Beyaz



LMD102 Krem



Parlak Beyaz



LMD105 Portakal



Mavi



LMD111 Lila



Fıstık Yeşili



LMD106 Fıstık Yeşili



LMD109 Kırmızı



LMD110 Bordo



LMD476 Parlak Lila



Parlak Kırmızı



LMD407 Parlak Bordo



LMD412 Parlak Mürdüm



Parlak Bordo



LMD113 Pembe



LMD410 Parlak Siyah



Parlak Krem



LMD215 Pudra Meşe



LMD202 Akçağaç



LMD233 Napolyon Kiraz



LMD265 Natural Açık Meşe



LMD266 Natural Koyu Meşe2



LMD272 Natural Light Oak2



LMD206 İtalyan Ceviz



LMD274 Pataya2



LMD276 Testere2



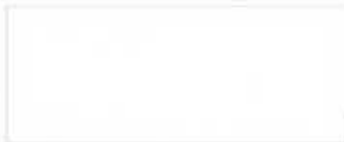
Elit Meşe



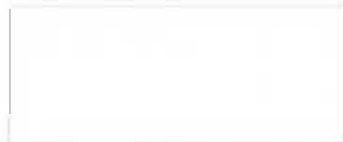
Elit Teak



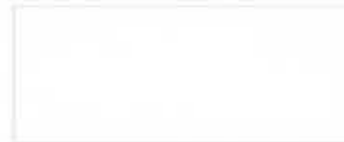
LMD212 Koyu Ceviz



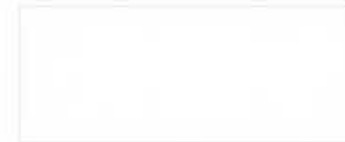
Sample Unit Color



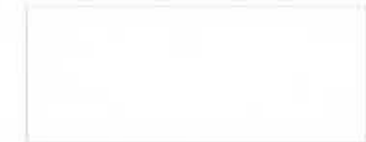
Sample Unit Color



Sample Unit Color



Sample Unit Color



Sample Unit Color

# CHAIR COLOURS OPTIONS

*For print-technical reasons, the colours represented here may deviate from the original colours slightly*



001



013



016



003



030



036



210



215



220



227



600



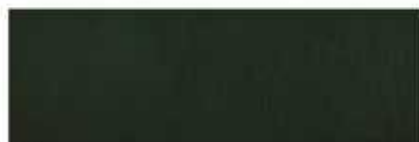
345



410



415



425



590



520



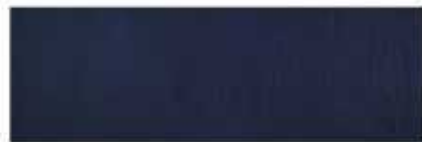
530



580



582



515



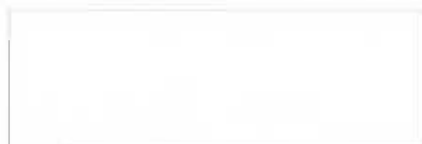
320



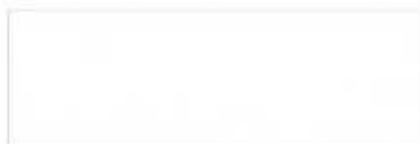
620



901



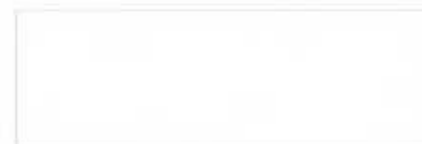
Sample Leather



Sample Leather



Sample Leather



Sample Leather

**YURATEK**  
www.yuratek.com

**YURATEK LTD. ŞTİ.**

İvedik Org. San. Bölgesi 1475 Sk. (eski 692. Sk.) No: 4 Ostim - ANKARA - TURKEY  
Tel : +90.312 395 29 96 • Fax : +90.312 395 29 97 • e-mail: info@yuratek.com



Basım Tarihi:  
16 ŞUBAT 2015  
Basım Yeri:  
yalçınmatbaacılık & ambalajsanayi  
Erman BÜYÜKAKGÜL  
www.yalcinmatbaaci.com.tr  
T.0312 435 0 435 - 395 21 16