

# OCULUS SDI® 4 / BIOM® 5

## Wide-Angle Observation



# OCULUS BIOM<sup>®</sup> 5

Perfect view for non-contact wide-angle observation

- The OCULUS BIOM<sup>®</sup> was a revolution in vitreoretinal surgery and forever changed fundus viewing.
- The Original: Made in Germany, made by OCULUS.
- The BIOM<sup>®</sup> 5 series continuously incorporates the principle of indirect ophthalmoscopy in the operating microscope.

Enlarge Your  
Perspective!



## The next evolution in non-contact wide-angle observation



*Intelligent activation of the SDI® 4c*

### Efficiency meets function

Surgeons appreciate the easy handling of the BIOM® 5. While observing the vitreous and the fundus the BIOM® 5 is aligned coaxially with the operating microscope. During extraocular phases of surgery it is swung out of the observation beam while the inverting action of the SDI® is neutralised: Automatically, by a surgeon controlled footswitch or manually.

### Intelligent

The convenience of automatic inversion provided by the SDI® 4c ensures the surgeon's view is always orientated properly. This is accomplished by OCULUS' patented design, utilising a fully autoclavable micro switch.

### BIOM® 5c (with electronic focus)

When used with the SDI® 4c the BIOM® 5c offers the convenience of electronic foot pedal focusing and intelligent and automatic image inversion.



*BIOM® 5c in working position*

# OCULUS BIOM® 5

## The advantages



### Slim and sleek

The slim and open design is lightweight and increases accessibility for the surgeon's hands and instruments as well as reprocessing. Space consumption in the operating field is also minimized.



### Optimized surgical efficiency

The reduction lens is designed to optimize the view of the retina and the limbus without the need to refocus during extraocular phases of surgery.



### Precision engineered for maximum accuracy

OCULUS' high design and manufacturing standards ensure greater stability and precision. Selected materials, including titanium, offer increased durability, with excellent resistance to today's rigorous and sometimes harsh sterilisation methods.



### Wide-field in high definition

The OCULUS BIOM® HD Disposable Lens is designed to provide superior clarity with wide-angle viewing. This unique design also provides high definition during high magnification, reducing the necessity of a separate lens for macula work.



### Compatibility and continuity

The BIOM® 5 is interchangeable with most accessories of the earlier BIOM® 4 version.

# Still the Best: OCULUS SDI® 4

## Stereoscopic Diagonal Inverter

- High transmission glass optics
- Slim design for reduced microscope stack height
- Integrates into most ophthalmic microscopes

### Automatic inversion

- Intelligent automatic inversion activated by the position of the BIOM® 5c
- Surgeon controlled electronic focus when combined with the BIOM® 5c
- Multiple BIOM® connectors for increased flexibility and convenience



SDI® 4c

### Motorized inversion

- Surgeon controlled electronic inversion
- Integration into most microscope foot pedals
- For use with the BIOM® 5m



SDI® 4e

### Manual inversion

- For use with the BIOM® 5m
- No power supply, cables or foot pedal required



SDI® 4m

## BIOM® Connecting Spacer

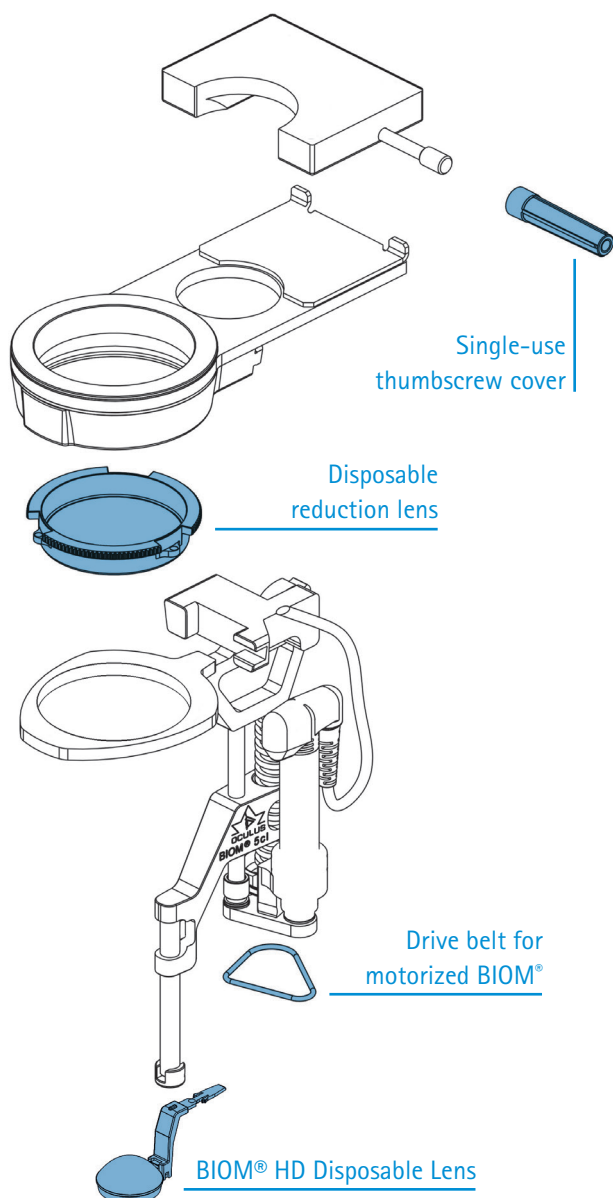
If your microscope already incorporates a stereoscopic diagonal inverter, you don't have to miss out on the benefits of the OCULUS BIOM® 5c and BIOM® 5cl. Ask the OCULUS team about the BIOM® Connecting Spacer.

# OCULUS BIOM<sup>®</sup> Optic Set

Enhancing 3D  
visualization systems

The OCULUS BIOM<sup>®</sup> HD Disposable Lens combines an extremely wide field of view with high-definition clarity. This makes it ideal for all stages of vitreoretinal surgery including macula viewing under high magnification.

- Innovative single-use design by OCULUS ensures a perfect view in every case
- Approx. 130° wide-angle field of view
- Outstanding resolution in periphery – whether in a fluid filled eye or under air
- HD clarity under high magnification reduces the need for a contact lens when working in the macula region
- Superb depth of field – even under high magnification
- Single-use design for increased OR efficiency and lower costs
- Compatible with OCULUS BIOM<sup>®</sup> 4/5
- Ideal for 3D Heads-up applications



*The convenient and sterile blister package is easy to handle. It includes thumbscrew cover and drive belts for the motorized BIOM<sup>®</sup> version.*

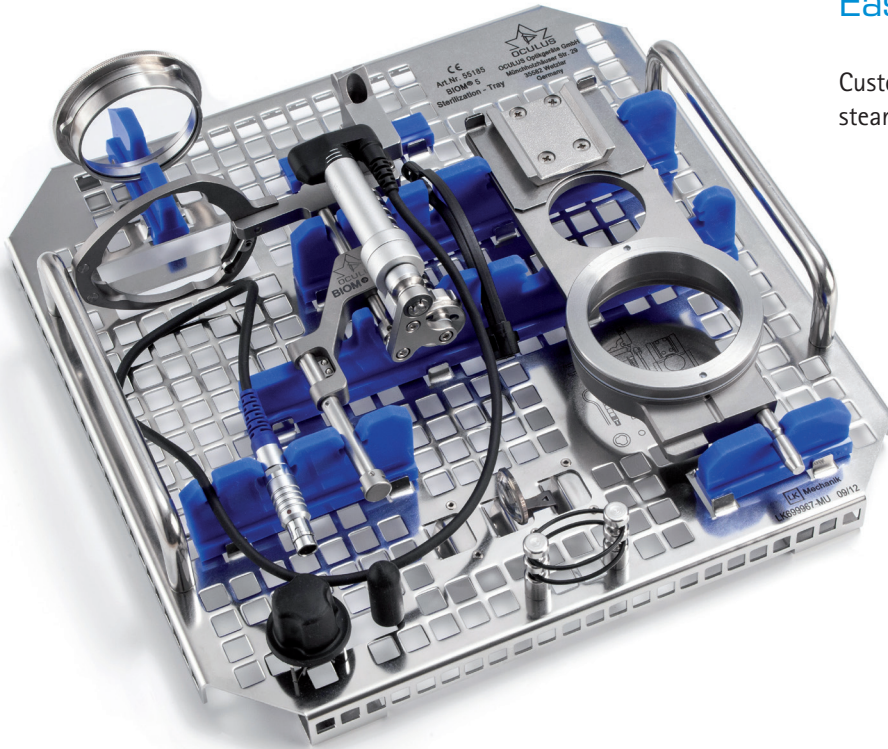


*BIOM<sup>®</sup> HD Disposable Lens: Innovative design ensures a perfect view in every case.*

# BIOM® 5 Accessories

## Easy sterilization

Customized sterilization tray for all steam autoclavable BIOM® 5 parts.



Complete sterilization container packed with BIOM® 5



BIOM® 5 tray also available for STATIM 5000 G4

# OCULUS SDI® 4/BIOM® 5

## Technical Data

Wide variety of BIOM® lenses

	Max. observation angle	Outer diameter	Steam autoclavable with temperature of	Features
HiRes	approx. 60°	19 mm	134° C	for high magnification
90D	approx. 90°	19 mm	134° C	intermediate field
WFE	approx. 120°	19 mm	134° C	wide field
WiFi HD	approx. 60° - 130°	20 mm	134° C	high resolution combined with wide field of view
WiFi HD Mini	approx. 60° - 110°	17 mm	134° C	wide field of view, high resolution, reduced diameter, ideal for deep-set eyes

Combinations of BIOM® Optic Sets (disposable)

Objective lens	BIOM®	BIOM® Optic Set (disposable)
f = 175 mm	BIOM® 4 m/c, 5 m/c	HD Professional for f = 175 mm
f = 200 mm	BIOM® 4 ml/cl, 5 ml/cl	HD Professional for f = 200 mm
	BIOM® 4 m/c, 5 m/c	HD Flex

## Adaptions

SDI® 4/BIOM® 5 adaptations are currently available for the following microscope types:	
Alcon	LuxOR®, LuxOR Revalia*
Huvitz	HOM-700
Kaps	SOM
Leica	M500/M501, M620, M650, M690, M841, M820*, M822*, M844*, Proveo 8*
Möller	Ophtamic 900, Hi-R 900, HS Hi-R NEO 900, HS Hi-R NEO 900A, EOS 900, Allegra 900
Takagi	OM-19, OM-18, OM-9, OM-8
Topcon	OMS-110, OMS-600, OMS-610, OMS-650, OMS-710, OMS-800 Standard, OMS-800 Pro, OMS-850 Standard, OMS-850 Pro
Zeiss	OPMI VISU 150/160, VISU 200/210, Lumera® 700, Lumera® T, Lumera® i, Lumera® 300 Advanced, OPMI CS with Retrolux 1/3/CS or with Retroskop 1/2/CS, OPMI MDO, OPMI 1/6

\* Specific: All SDI® 4c/BIOM® 5c functions can be controlled with the foot pedal of Leica M820/M822/M844/Proveo 8 surgical microscope and Alcon LuxOR™/LuxOR Revalia™ ophthalmic microscopes.

! Slit lamp adaptations on request.

CE in accordance with Medical Device Directive 93/42/EEC

WWW.OCULUSSURGICAL.COM



OCULUS is certified by TÜV according to DIN EN ISO 13485 MDSAP

OCULUS Optikgeräte GmbH  
 Postfach • 35549 Wetzlar • GERMANY  
 Tel. +49 641 2005-0 • Fax +49 641 2005-299  
 Email: support@oculussurgical.de • www.oculussurgical.com

Find your local OCULUS representative on our website.