

OCULUS BIOM<sup>®</sup> ready  
Single-use wide-angle  
viewing system

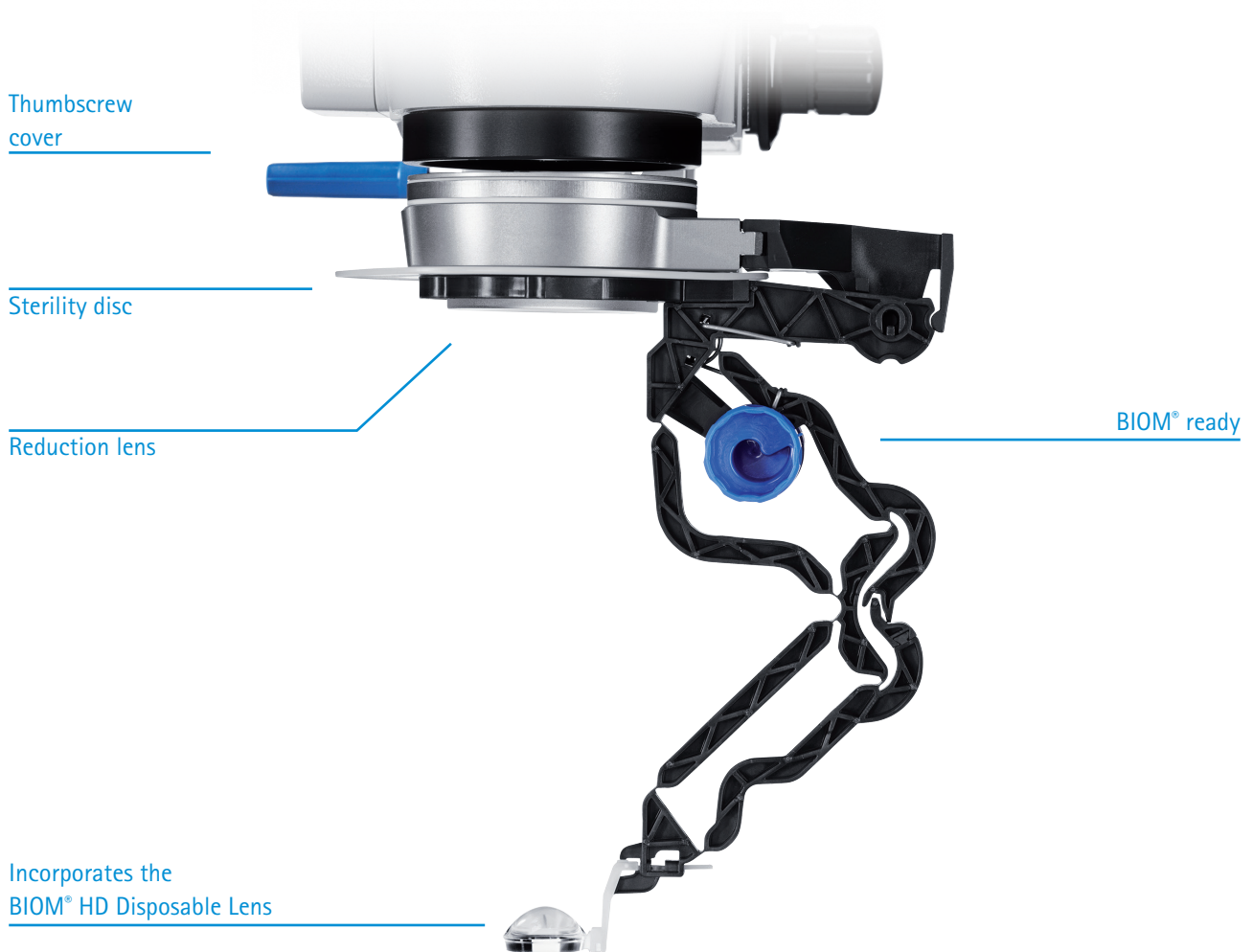


# OCULUS BIOM<sup>®</sup> ready

The world's first single-use wide-angle viewing system.

From the inventors of non-contact wide-angle viewing, comes the world's first single-use wide-angle viewing system. The BIOM<sup>®</sup> ready provides the retinal surgeon the same unparalleled view they have come to rely on for over 25 years, while addressing the need for maximizing operating room efficiency.

- Perfect balance between flexibility and high optical quality
- Uncompromised performance you have come to expect from the OCULUS BIOM<sup>®</sup>
- No sterilization “down time” for increased OR efficiency



## Incorporates the BIOM<sup>®</sup> HD Disposable Lens for unparalleled visual clarity

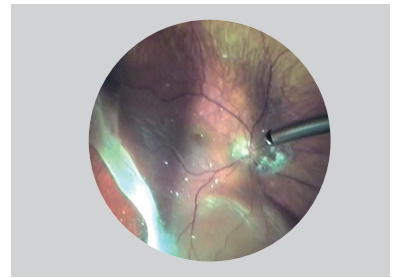
- Excellent depth of field for better stereopsis
- HD clarity under high magnification reduces the need for a contact lens
- Full-field clarity for decreased scleral depressing during panretinal laser
- Improved view during air/fluid exchanges



*Approx. 130° wide-angle field of view with outstanding resolution*



*New reduction lens is designed to optimize the view of the retina and the limbus, increasing surgical efficiency*



*HD clarity under high magnification*



# Always ready, always a perfect view.



*BIOM® ready sterile blister pack*



*Connects easily to your microscope*



*Ready for use*

Specifically designed to optimize performance with either a  $f = 175$  mm or  $f = 200$  mm microscope objective lens.

54413: BIOM® ready, optimized for  $f = 175$  mm

54414: BIOM® ready, optimized for  $f = 200$  mm

## Adaptations

SDI® 4/BIOM® ready adaptations are currently available for the following microscope types:	
Alcon	LuxOR
Huvitz	HOM-700
Kaps	SOM
Leica	M220, M500/M501, M620, M650, M690, M841, M820, M822, M844, Proveo 8
Möller	Ophthalmic 900, Hi-R 900, Hi-R NEO 900, EOS 900, Allegra 900
Takagi	OM-8, OM-9, OM-18, OM-19
Topcon	OMS-110, OMS-600, OMS-610, OMS-650, OMS-710, OMS-800 Standard, OMS-800 Pro, OMS-850 Standard, OMS-850 Pro
Zeiss	ARTEVO 800®, OPMI VISU 150/160, VISU 200/210, Lumera® 700, Lumera® T, Lumera® i, Lumera® 300, OPMI CS with Retrolux 1/3/CS, OPMI/MDO, OPMI 1/6

CE in accordance with Medical Device Directive 93/42/EEC

WWW.OCULUSSURGICAL.COM



OCULUS is certified by TÜV according to DIN EN ISO 13485 MDSAP

OCULUS Optikgeräte GmbH  
Postfach • 35549 Wetzlar • GERMANY  
Tel. +49 641 2005-0 • Fax +49 641 2005-299  
Email: support@oculussurgical.de • www.oculussurgical.com

Find your local OCULUS representative on our website.