



YURATEK

DURU-III

A professional Approach to Refraction Units

www.yuratek.com

DURU-III

Refraction Units

TECHNICAL SPECIFICATIONS UNIT AND CHAIR

Unit	DURU-III
Power	110 or 240 VAc 50-60 Hz
Electrical Classification	Class I, Type B
Table Top Electrical Output	110 or 220 VAc & 0-6/12(SL)
Head Lamp Dimmable	Led Lamp
Maximum Load of Table	20 kg + 20 kg + 20 kg
Chair Carrying Capacity	150 kg
Chair Stroke	180 mm

STANDARD FEATURES

Sliding Table for 3 Instruments
Easy change to Left or Right Version at site
Electromagnetic Brake in Every Angle
Chart Projector Plate
Safety Knee Switch
Dimmable Slit Lamp Control
Standard Trial Lens Drawer
Backlight Illuminated Keypad
Energy Saving Mode
Elevated Table Top
Mini Keypad on Table
Reading Lamp (Near Vision)

CONTROL PANEL

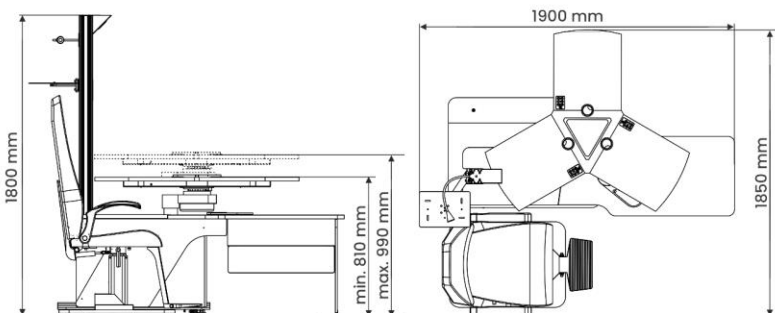
Power On/Off Control
Chair Up/Down Elevation Control
Aux On/Off Control
Projector On/Off Control
Head Lamp Dimmable Control
Slit Lamp Illumination Light Control
Elevated Table Control
Motorized Phoropter Arm Control
Electro Magnetic Brake Control
Read Lamp (Near Vision) Control

OPTIONAL ACCESSORIES

Manuel Phoropter Arm
Autobalance Phoropter Arm
Sliding Manuel Phoropter Arm
Motorized Phoropter Arm
Foot Controller Pedal For Chair
Monitor Support Arm
Triple Trial Lens Drawer (Mobile)
Wheelchair Access Type
Inclinable Chair Backrest 45°
Inclinable Chair Backrest 180°
Manual Horizontal Chair Movement
Ophtalmoscope Retinascope Holder
Chair Stroke 200/300/400 mm

Please contact us for cutomised options, accessories and detailed information.

STANDARD TYPE TECHNICAL DRAWING



Wheelchair Access Type



Left or right sided table installation feature allows you to easy adjust the unit's table during the installation.



IMPORTANT Yuratek Ltd. Şti. subject to change in design and / or specifications without advanced notice. For detailed info please contact your dealer.