



## REFRACTION AND EXAMINATION UNITS

Tradition and Innovation

 HAAG-STREIT  
DIAGNOSTICS

» **Making good even better** – 10 years ago HAAG-STREIT has re-thought the workplace of the ophthalmologist with the HS-2010. Our solutions combine user-oriented functionality and highest quality. The various projects in ophthalmology practices as well as in clinics have convinced our clients. In the following, you will find an overview of our performance programme of refraction and examination units. Also all important information about the new product HS-1410. We will gladly work with you to devise a custom solution for your needs.«





HS-2010	04
HS-1410	06
HS-810	08
TECHNICAL DATA	10

## HS-2010

### INTEGRATION

## Visutron 900+

Unique integration of the phoropter in the examination unit. The phoropter moves motor-operated in front of the patient. The near refraction can be set individually and patient-oriented.

### HANDICAPPED ACCESSIBLE

## HS-2010 B

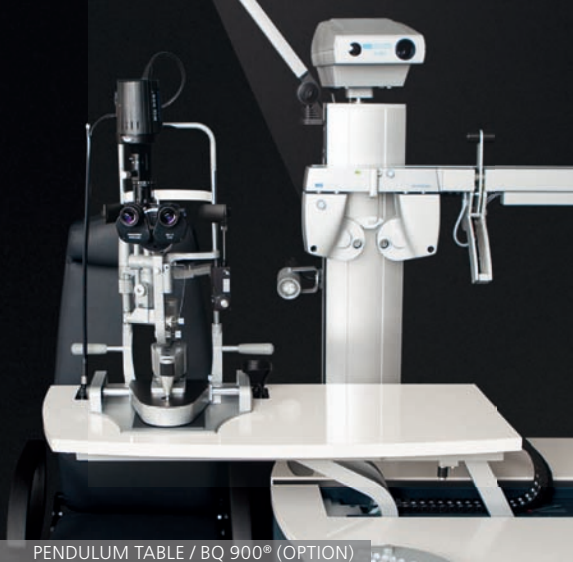


The easy swivelling of the patient chair allows positioning of patients in wheel-chairs – with very little effort. The Quadro lifting column system ensures an individually adjustment of the workplace height. Stepless and to millimetre accuracy.

### LONGEVITY

## Excellent surfaces

In addition to varnish and wood we also offer optionally different surfaces of plastics or the material LG HI-MACS® Natural Acrylic Stone (comparable to CORIAN®). Beside its special charm and value captivates LG HI-MACS® for its high resistance. The smooth surfaces guarantee an optimal hygiene.



PENDULUM TABLE / BQ 900® (OPTION)



CONTROL PANEL ILLUMINATED



SCHNEEBERGER PRINCIPLE

## 1. Patient Chair

Versatile range of adjustments and electromotive height adjustable.

## 2. Hand-held instruments

Perfected workflows through ergonomic placement and sophisticated design.

## 3. Trial Lens Drawer

All trial lenses are clearly arranged and ready to hand

## 4. Container

Four self-closing drawers and one open storage – space for everything about the eye examination.

## 5. Workplace Lamp

Adjustable individually, optimized for refraction and small surgical procedures.



» **HS-2010** e.g. with BQ 900® ZOOM LED  
Visutron 900+ – chart projector M3000,  
as well as HEINE hand-held instruments  
and head ophthalmoscope.«

# HS-1410

## FUNKTIONALITY

### Instruments-Sliding-Table

The new refraction and examination unit in its standard version has a 1-Instrument-sliding-table, optionally a 2-instruments-table is available. The longevity and the easy handling are achieved by the »Schneeberger principle«.

## QUALITY PROMISE

### High Quality Design

Precise fitting due to laser production, continuously ergonomic design, a tidy appearance by covered cable ducts, long-lasting surfaces (suitable for wiping disinfection) and the modern design of the HAAG-STREIT refraction and examination units generate them the first choice for your practice.

## ECONOMIC EFFICIENCY

### The Alternative

So that we can achieve more together in the future, we developed the new compact refraction and examination unit HS 1410. HS 1410 is especially designed for the second or third workplace. The excellent price-performance ratio is convincing. Surfaces suitable for wiping disinfection.



AUTO PHOROPTER VISUTRON 900+ / CLEARCHART®



TRIAL LENS DRAWER



HAND-HELD INSTRUMENTS STORAGE

## 1. Patient Chair

Versatile range of adjustments and electromotive height adjustable.

## 2. Control Panel

Ergonomic placement and intuitive handling of all important functions in the examination room.

## 3. Container

Three self-closing drawers and one open storage – space for everything about the eye examination.

## 4. Trial Lens Drawer

All trial lenses are clearly arranged and ready to hand.



» **HS-1410** e.g. with BP 900® LED  
Imaging system CM 900®, Visutron 900+  
and chart monitor CC3P, as well as HEINE  
hand-held instrument incl. charger«

## HS-810

### ERGONOMY

## Patient Chair

Electromotive height adjustable, long stroke range, optionally with tilting backrest up to 180°, horizontal seat shifting, swiveling arm rests.

### PROFESSIONALISM

## Efficient Space Wonder

HAAG-STREIT Refraction and examination units stand for professional work about the routine diagnostics. Also the HS-810 scores with speed, efficiency and precision in a small space.

### USER ORIENTATION

## Sophisticated Accessories

Also the HS-810 with a lot of extras and options is well thought-out down to every detail. For example, many external functions can be controlled via wall connection box. Small details such as cushioned storage for patient's glasses or an inconspicuous storage space for the PC behind the perforated metal covering make this unit to a true room wonder. Optionally also available with an individually adjustable workplace lamp or a reading lamp.

## 1. Two-Instruments-Sliding-Table

Swivelling and extendable for optimal place use up to two instruments, e.g. Lenstar LS900® and slit lamp.

## 2. Reading Lamp

Optionally reading lamp individually adjustable.

## 3. Control Panel integrated and swivelling

The control panel is integrated in the drawer front of swivelling lens drawer for best user comfort.

## 4. Hand-held Instruments

All small instruments such as ophthalmoscope and retinoscope are ready for use by hand.



VISUTRON 900+ / CHART PROJECTOR M 3000



CONTROL SWITCHES



STORAGE FOR PATIENT'S SPECTACLES



» **HS-810** e.g. with BQ 900® LED  
Visutron 900+  
Prism compensator with tilting device and  
chart projector M3000 as well as HEINE  
hand-held instruments.«



# Technical Data

## Performance features

### Dimensions

<b>HS-2010</b>	2060 x 3140 mm max.
<b>HS-1410</b>	1541 x 2640 mm max.
<b>HS-810</b>	1403 x 1338 mm max.

### Connection voltage

<b>HS-2010</b>	230 V / 50 Hz
<b>HS-1410</b>	230 V / 50 Hz
<b>HS-810</b>	230 V / 50 Hz

### Power consumption max.

<b>HS-2010</b>	4 A
<b>HS-1410</b>	4 A
<b>HS-810</b>	6,3 A

### Connection power

<b>HS-2010</b>	1000 VA
<b>HS-1410</b>	1000 VA
<b>HS-810</b>	1500 VA

### Length of power cable (fixed)

<b>HS-2010</b>	2000 mm
<b>HS-1410</b>	2000 mm
<b>HS-810</b>	2000 mm

### Voltage supply (table- and handheld instruments)

<b>HS-2010</b>	6 V / 12 V, 3,5 V*
<b>HS-1410</b>	6 V / 12 V, 3,5 V*
<b>HS-810</b>	6 V / 12 V, 3,5 V*

\*adjustable intensity  
(if non-heating connector 230 V/AC:  
intensity not adjustable)

### Protection

<b>HS-2010</b>	IP 20
<b>HS-1410</b>	IP 20
<b>HS-810</b>	IP 20

### Protection class

<b>HS-2010</b>	Class I
<b>HS-1410</b>	Class I
<b>HS-810</b>	Class I

### Device class

<b>HS-2010</b>	Medical device class I
<b>HS-1410</b>	Medical device class I
<b>HS-810</b>	Medical device class I

### Standards & regulations

#### HS-2010 / HS-1410 / HS-810

EN 60601-1:2013-12  
IEC 60601-1:2012

EN 60601-1-2:2007-12  
IEC 60601-1-2:2007

EN ISO 14971:2013-04  
ISO 14971:2007

EN 55011:2011-04  
IEC/CISPR 11:2010

EN 61000-3-2:2010-03  
IEC 61000-3-2:2009

EN 61000-3-3:2009-06  
IEC 61000-3-3:2008

In accordance with all requirements  
of the EC Medical Devices  
Directive 93/42/EEC (UMDNS-Code:  
18-014)



## Tailor-made for clinic and practice

Precisely metal parts manufactured by state-of-the-art laser technology, edge contours made of one cast, consistently ergonomic design, perfect integration of instruments.

Individual color design: In attractive colors, real wood or multiplex. A lot of choices define a new design demand of the workplace.

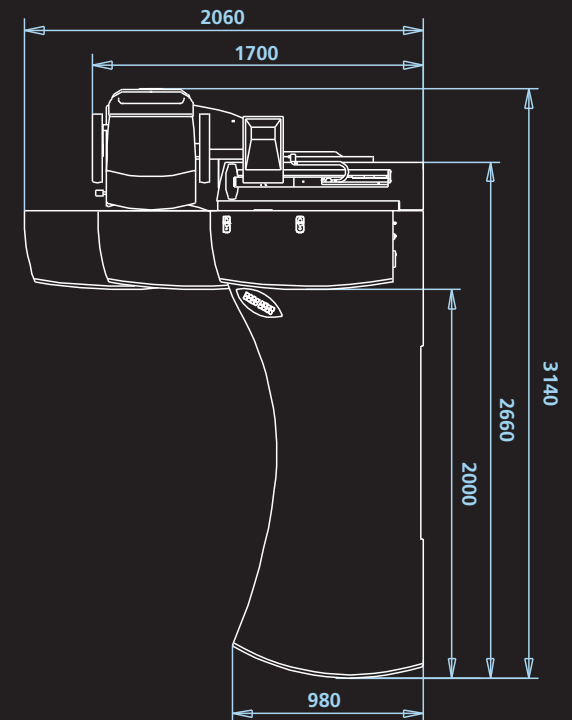
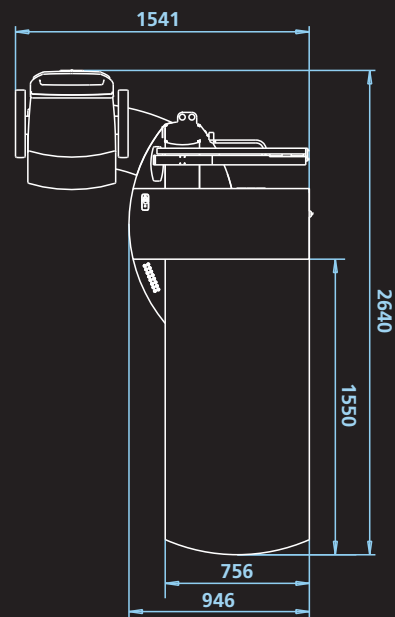
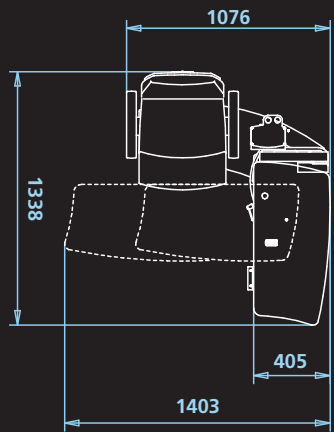
HS-810



HS-1410



HS-2010





## Tailor-made practice planning

Are you planning a new building, a reconstruction or even only a new examination room?

HAAG-STREIT Diagnostics and the international distribution partners are available for the design work of your new doctor's practice. Quickly and competently we support your project.

We work together with experienced architects in the field of ophthalmic medical practices – this ensures that you not overlook anything.

### HAAG-STREIT AG

Gartenstadtstrasse 10 | CH-3098 Köniz | Switzerland  
Phone: +41 31 978 01 11 | Fax: +41 31 978 02 82  
info@haag-streit.com | www.haag-streit.com